

Helios | LED potato light



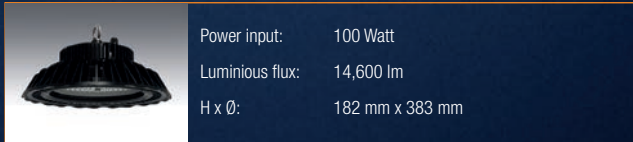
Data sheets



Helios I LED potato light

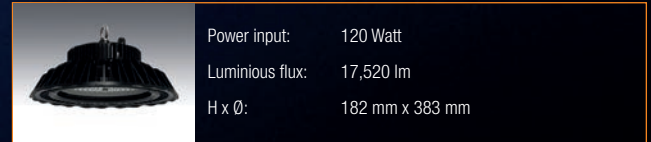
With an efficiency of 146 lm/W, CONPOWER special luminaires for the potato industry are just as efficient as conventional LED luminaires for industrial applications. Previously used coatings and tubes to colour the light reduced the luminous flux of the lamps and thus the efficiency. Thus, up to 90% savings are possible by converting to LED technology.

Helios LED potato light



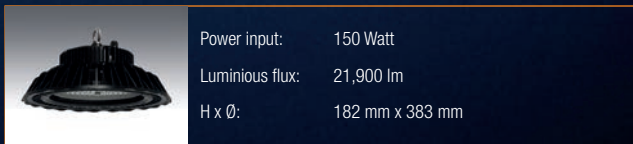
Power input: 100 Watt
Luminous flux: 14,600 lm
H x Ø: 182 mm x 383 mm

Seite 3



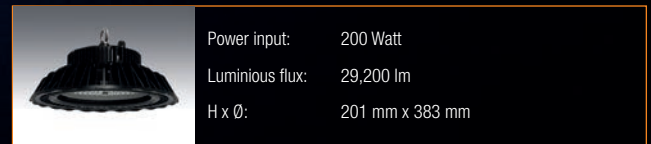
Power input: 120 Watt
Luminous flux: 17,520 lm
H x Ø: 182 mm x 383 mm

Seite 4



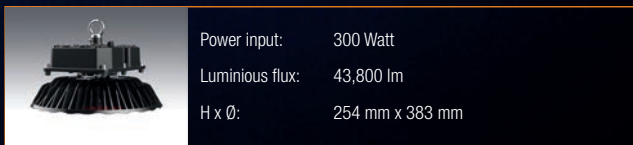
Power input: 150 Watt
Luminous flux: 21,900 lm
H x Ø: 182 mm x 383 mm

Seite 5



Power input: 200 Watt
Luminous flux: 29,200 lm
H x Ø: 201 mm x 383 mm


Seite 6



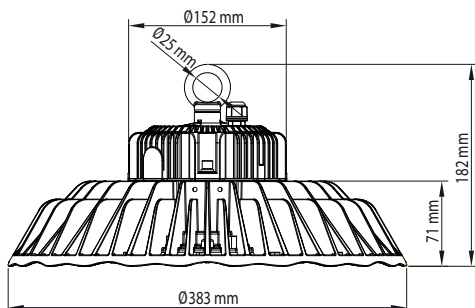
Power input: 300 Watt
Luminous flux: 43,800 lm
H x Ø: 254 mm x 383 mm

Seite 7


■ Helios I LED potato light - 100 Watt

Product data		Product image
Power input:	100 Watt	
Driver:	MEANWELL	
LED:	OSRAM	
Dimming:	1-10 Volt/DALI	
Quantity of LEDs:	AC	
Voltage:	100-240 V	
Voltage range:	0.93	
Cos φ:	47-63 Hz	
Operational frequency:	Green(520-540nm)	
Luminous flux:	14,600 lm ± 5%	
Luminous efficiency:	146 lm/W ± 5%	
Beam angle:	50°, 90° and 120°	
CRI:	73 R _a (Optional 80 R _a)	
Ambient temperature:	-30 °C to +50 °C	
Degree of protection:	IP65	
Impact resistance:	IK10 (Silicate glass cover IK08)	
Average lifespan:	50,000 h L ₈₀ / B ₁₀	
Start:	<0.1 Seconds	
Height x diameter:	182 mm x 383 mm	
Weight:	5.9 ± 0.3 kg	
Packing unit:	1 piece	
Warranty:	5 years	
<p>Housing: Impact and corrosion resistant aluminum housing. Optionally available with silicate glass cover.</p>		<p>Product description</p> <ul style="list-style-type: none"> ■ Mounting as pendant, ceiling and wall luminaire ■ Free of mercury ■ Robust and durable construction for industrial use ■ Flicker-free instant start ■ High switching durability ■ Optionally with aluminium reflector

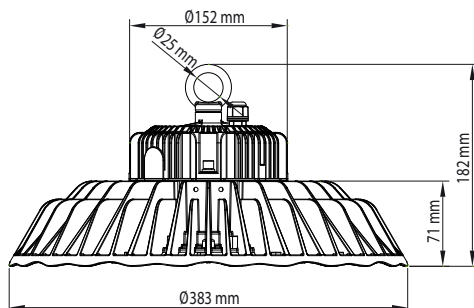
Dimensions:




■ Helios I LED potato light - 120 Watt

Product data		Product image
Power input:	120 Watt	
Driver:	MEANWELL	
LED:	OSRAM	
Dimming:	1-10 Volt/DALI	
Quantity of LEDs:	AC	
Voltage:	100-240 V	
Voltage range:	0.93	
Cos φ:	47-63 Hz	
Operational frequency:	Green(520-540nm)	
Luminous flux:	17.520 lm ± 5%	
Luminous efficiency:	146 lm/W ± 5%	
Beam angle:	50° , 90° and 120°	
CRI:	73 R _a (Optional 80 R _a)	
Ambient temperature:	-30 °C to +50 °C	
Degree of protection:	IP65	
Impact resistance:	IK10 (Silicate glass cover IK08)	
Average lifespan:	50,000 h L ₈₀ / B ₁₀	
Start:	<0.1 Seconds	
Height x diameter:	182 mm x 383 mm	
Weight:	5.9 ± 0.3 kg	
Packing unit:	1 piece	
Warranty:	5 years	
<p>Housing: Impact and corrosion resistant aluminum housing. Optionally available with silicate glass cover.</p>		<p>Product description</p> <ul style="list-style-type: none"> ■ Mounting as pendant, ceiling and wall luminaire ■ Free of mercury ■ Robust and durable construction for industrial use ■ Flicker-free instant start ■ High switching durability ■ Optionally with aluminium reflector

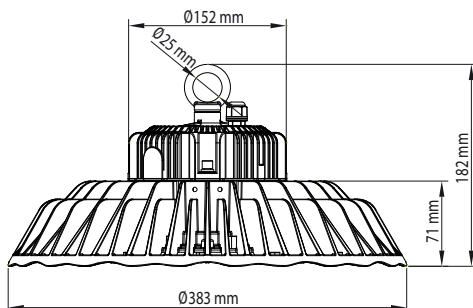
Dimensions:




■ Helios I LED potato light - 150 Watt

Product data		Product image
Power input:	150 Watt	
Driver:	MEANWELL	
LED:	OSRAM	
Dimming:	1-10 Volt/DALI	
Quantity of LEDs:	AC	
Voltage:	100-240 V	
Voltage range:	0.93	
Cos φ:	47-63 Hz	
Operational frequency:	Green(520-540nm)	
Luminous flux:	21,900 lm ± 5%	
Luminous efficiency:	146 lm/W ± 5%	
Beam angle:	50° , 90° and 120°	
CRI:	73 R _a (Optional 80 R _a)	
Ambient temperature:	-30 °C to +50 °C	
Degree of protection:	IP65	
Impact resistance:	IK10 (Silicate glass cover IK08)	
Average lifespan:	50,000 h L ₈₀ / B ₁₀	
Start:	<0.1 Seconds	
Height x diameter:	182 mm x 383 mm	
Weight:	5.9 ± 0.3 kg	
Packing unit:	1 piece	
Warranty:	5 years	
<p>Housing: Impact and corrosion resistant aluminum housing. Optionally available with silicate glass cover.</p>		<p>Product description</p> <ul style="list-style-type: none"> ■ Mounting as pendant, ceiling and wall luminaire ■ Free of mercury ■ Robust and durable construction for industrial use ■ Flicker-free instant start ■ High switching durability ■ Optionally with aluminium reflector

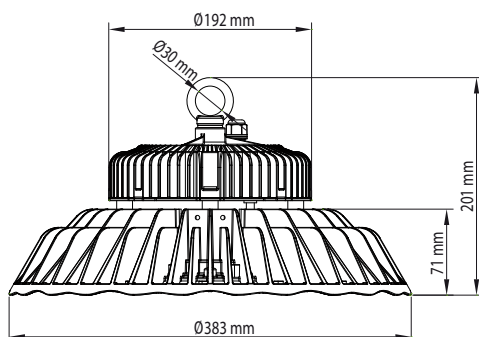
Dimensions:





■ Helios I LED potato light - 200 Watt

Product data		Product image
Power input:	200 Watt	
Driver:	MEANWELL	
LED:	OSRAM	
Dimming:	1-10 Volt/DALI	
Quantity of LEDs:	AC	
Voltage:	100-240 V	
Voltage range:	0.93	
Cos φ:	47-63 Hz	
Operational frequency:	Green(520-540nm)	
Luminous flux:	29,200 lm ± 5%	
Luminous efficiency:	146 lm/W ± 5%	
Beam angle:	50° , 90° und 120°	
CRI:	73 R _a (Optional 80 R _a)	
Ambient temperature:	-30 °C bis +50 °C	
Degree of protection:	IP65	
Impact resistance:	IK10 (Silicate glass cover IK08)	
Average lifespan:	50,000 h L ₈₀ / B ₁₀	
Start:	<0.1 Seconds	
Height x diameter:	201 mm x 383 mm	
Weight:	6.7 ± 0,3 kg	
Packing unit:	1 piece	
Warranty:	5 years	
<p>Housing: Impact and corrosion resistant aluminum housing. Optionally available with silicate glass cover.</p>		<h3>Product description</h3> <ul style="list-style-type: none"> ■ Mounting as pendant, ceiling and wall luminaire ■ Free of mercury ■ Robust and durable construction for industrial use ■ Flicker-free instant start ■ High switching durability ■ Optionally with aluminium reflector

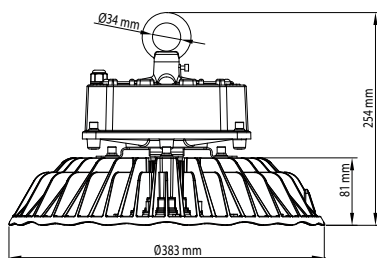
Dimensions:




■ Helios I LED potato light - 300 Watt


Product data		Product image
Power input:	300 Watt	
Driver:	 MEANWELL	
LED:	OSRAM	
Dimming:	1-10 Volt	
Quantity of LEDs:	AC	
Voltage:	100-240 V	
Voltage range:	0.93	
Cos φ:	47-63 Hz	
Operational frequency:	Green(520-540nm)	
Luminous flux:	43,800 lm ± 5%	
Luminous efficiency:	146 lm/W ± 5%	
Beam angle:	60°, 90° und 120°	
CRI:	73 R _a (Optional 80 R _a)	
Ambient temperature:	-30 °C bis +50 °C	
Degree of protection:	IP65	
Impact resistance:	IK10 (Silicate glass cover IK08)	
Average lifespan:	50,000 h L ₈₀ / B ₁₀	
Start:	<0.1 Seconds	
Height x diameter:	254 mm x 383 mm	
Weight:	8.7 kg	
Packing unit:	1 piece	
Warranty:	5 years	
<p>Housing: Impact and corrosion resistant aluminum housing. Optionally available with silicate glass cover.</p>		<p>Product description</p> <ul style="list-style-type: none"> ■ Mounting as pendant, ceiling and wall luminaire ■ Free of mercury ■ Robust and durable construction for industrial use ■ Flicker-free instant start ■ High switching durability ■ Optionally with aluminium reflector


Dimensions:

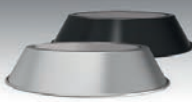



■ Helios I LED highbay - Accessories

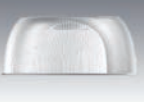
Product	Article	Description
	Bracket	Mounting bracket wall/ceiling mounting for pendant luminaire Helios 100 W - 200 W


Product	Article	Description
	Bracket ± 45°	Adjustable mounting bracket ± 45° wall/ceiling mounting Version: 100 W - 200 W


Product	Article	Description
	Bracket ± 180°	Adjustable mounting bracket ± 180° wall/ceiling mounting Version: 100 W - 200 W

Product	Article	Description
	Aluminium reflector	Aluminium reflector in black and silver version Version: 100 W - 200 W

Product	Article	Description
	PC reflector with cover	PC reflector with cover

Product	Article	Description
	PC reflector without cover	PC reflector without cover

Product	Article	Description
	50°/60°/90°-lens	50°/90°-lens: 100 W 60°/90°-lens: 120 W - 200 W

Product	Article	Description
	Frosted and clear polycarbonate cover	Frozen and clear cover Version: 100 W - 200 W



CONPOWER
Energie bewusst machen

CONPOWER Betrieb GmbH
Lilienthalstraße 1
82178 Puchheim
Telefon: +49 89 4161488-70
Telefax: +49 89 4161488-71
E-Mail: betrieb@conpower.de
www.conpower.de