

Korona | LED highbay



Data sheets



CONPOWER
Energie bewusst machen


Korona | LED highbay

The Korona luminaire is the perfect product for illuminating logistics and industrial areas. The elongated design and asymmetric beam angle effectively reduce stray light on walls and shelves. The entire luminous flux of the luminaire is directed by the modern lens technology exactly where the light is needed. The effective and targeted control of the light therefore allows work to be carried out with a lower power input, which results in low energy bills. High-rack areas with a width of approx. 1.50 m to 4.00 m can be illuminated with maximum efficiency. While a conventional hall spotlight with a round symmetrical beam requires a higher number of luminaires, a greater uniformity can be achieved, even with a lower number of Korona luminaires due to its asymmetrical beam options.


The Korona series is an excellent choice for both indoor- and outdoor-lighting due to its high-quality processing, protection class IP65, impact resistance IK08 and power ratings from 30 to 180 watts. Using the DALI or 1-10 V options in combination with a control system, lighting can be tailored to provide effective lighting for variable workplace situations, CLO (constant light output) or motion detection.

There is also a wide range of mounting options. The luminaire can be mounted as a pendant, ceiling or wall luminaire. The combination of NICHIA LED and MEANWELL driver stands for maximum reliability and durability.


■ Korona LED highbay

	<p>Power input: 30 Watt</p> <p>Luminous flux: up to 4,950 lm</p> <p>L x B x H: 280 mm x 137 mm x 102 mm</p>
---	---


Page 3

	<p>Power input: 60 Watt</p> <p>Luminous flux: up to 9,900 lm</p> <p>L x B x H: 486 mm x 137 mm x 102 mm</p>
--	---


Page 4

	<p>Power input: 90 Watt</p> <p>Luminous flux: up to 14,850 lm</p> <p>L x B x H: 718 mm x 137 mm x 102 mm</p>
---	--


Page 5

	<p>Power input: 120 Watt</p> <p>Luminous flux: up to 19,800 lm</p> <p>L x B x H: 948 mm x 137 mm x 102 mm</p>
--	---

Page 6

	<p>Power input: 150 Watt</p> <p>Luminous flux: up to 24,750 lm</p> <p>L x B x H: 1,178 mm x 137 mm x 102 mm</p>
---	---

Page 7

	<p>Power input: 180 Watt</p> <p>Luminous flux: up to 29,700 lm</p> <p>L x B x H: 718 mm x 275 mm x 102 mm</p>
--	---

Page 8

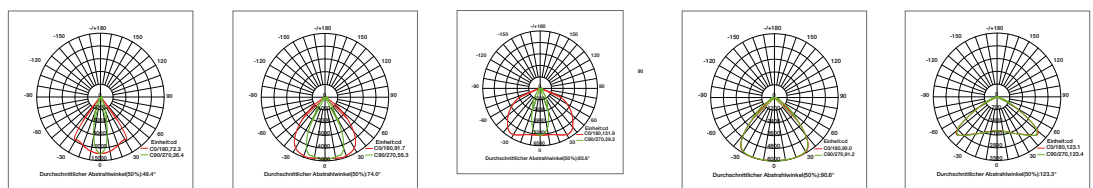
■ **Korona | LED highbay - 30 Watt**

Product data		Product image	
Power input:	30 Watt	  	
Driver:	 MEANWELL  SOSEN		
LED:	 NICHIA /  OSRAM		
Dimming:	1-10 Volt		
Quantity of LEDs:	28		
Voltage:	AC		
Voltage range:	200-240 V		
Cos φ:	0.93		
Operational frequency:	47-63 Hz		
Color temperature:	5,000 K		Green (520-540 nm)
Luminous flux:	4,950 lm		3,396 lm
Luminous efficiency:	165 lm/W		110 lm/W
Beam angle:	30°x70° / 60°x90° / 40°x130° / 90° / 120°		
CRI:	73 R _a		
Ambient temperature:	-30 °C bis +50 °C		
Degree of protection:	IP65		
Impact resistance:	IK08		
Average lifespan:	50.000 h L ₈₀ / B ₁₀		
Start:	<0.1 Sekunden		
Length x width x height:	280 mm x 137 mm x 102 mm		
Weight:	2.5 kg		
Packing unit:	1 piece		
Warranty:	5 years		
Housing: Impact, vibration and corrosion resistant aluminum housing, thermally optimized. Flat and compact design. Stainless steel fittings.			

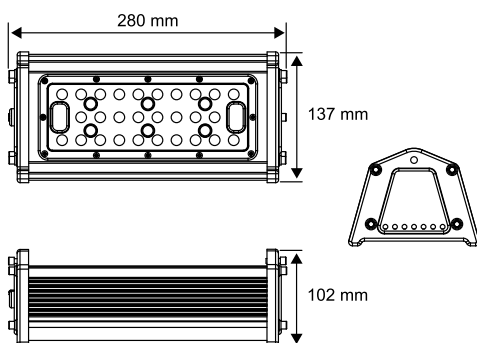
Product description

- Precise illumination of corridors and storage areas
- Easy maintenance due to modular design
- Mounting as pendant, ceiling and wall luminaire
- Free of mercury
- Robust and durable construction for industrial use
- High performance optics
- Nichia diodes tested according to LM80

Photometr. data 30° x 70° 60° x 90° 40° x 130° 90° 120°






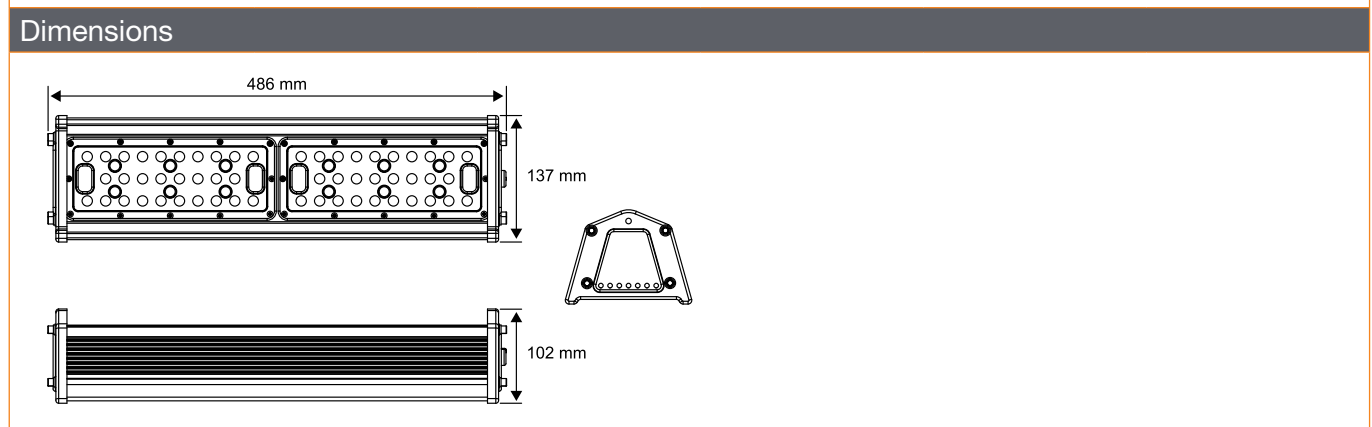
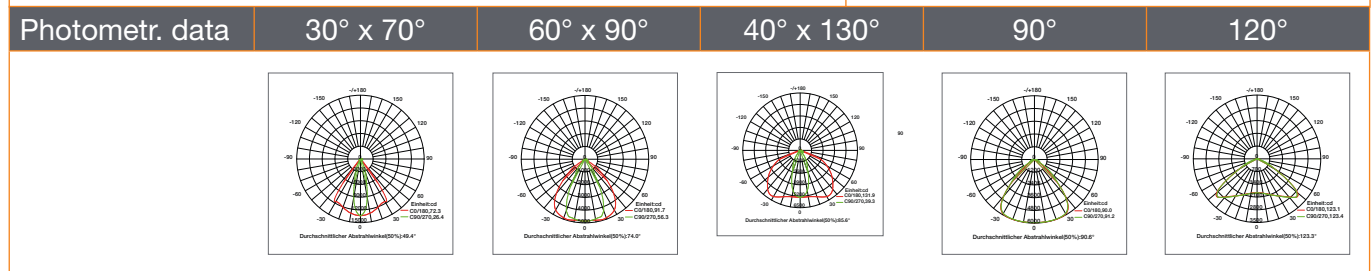
Dimensions








Alle vorherigen Datenblätter verlieren hiermit ihre Gültigkeit. Das Gleiche gilt bei Erscheinen eines neuen Datenblatts.

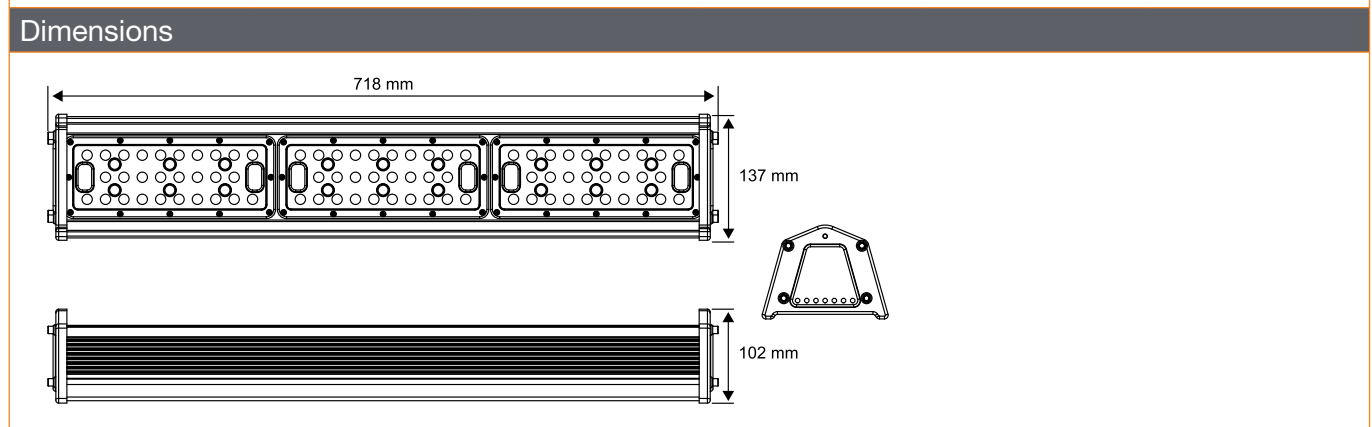
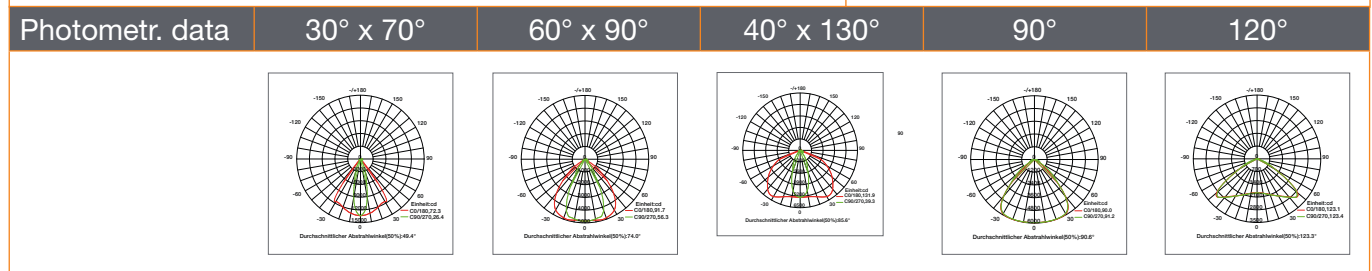
■ **Korona | LED highbay - 60 Watt**

Product data		Product image	
Power input:	60 Watt		
Driver:	 MEANWELL  SOSEN		
LED:	 NICHIA /  OSRAM		
Dimming:	1-10 Volt/DALI		
Quantity of LEDs:	56		
Voltage:	AC		
Voltage range:	200-240 V		
Cos φ:	0.93		
Operational frequency:	47-63 Hz		
Color temperature:	5.000 K		Green (520-540 nm)
Luminous flux:	9,900 lm		6,792 lm
Luminous efficiency:	165 lm/W		113 lm/W
Beam angle:	30°x70° / 60°x90° / 40°x130° / 90° / 120°		
CRI:	73 R _a		
Ambient temperature:	-30 °C bis +50 °C		
Degree of protection:	IP65		
Impact resistance:	IK08		
Average lifespan:	50,000 h L ₈₀ / B ₁₀		
Start:	<0.1 Sekunden		
Length x width x height:	486 mm x 137 mm x 102 mm		
Weight:	3.4 kg		
Packing unit:	1 piece		
Warranty:	5 years		
Housing: Impact, vibration and corrosion resistant aluminum housing, thermally optimized. Flat and compact design. Stainless steel fittings.			
Product description			
<ul style="list-style-type: none"> ■ Precise illumination of corridors and storage areas ■ Easy maintenance due to modular design ■ Mounting as pendant, ceiling and wall luminaire ■ Free of mercury ■ Robust and durable construction for industrial use ■ High performance optics ■ Nichia diodes tested according to LM80 			








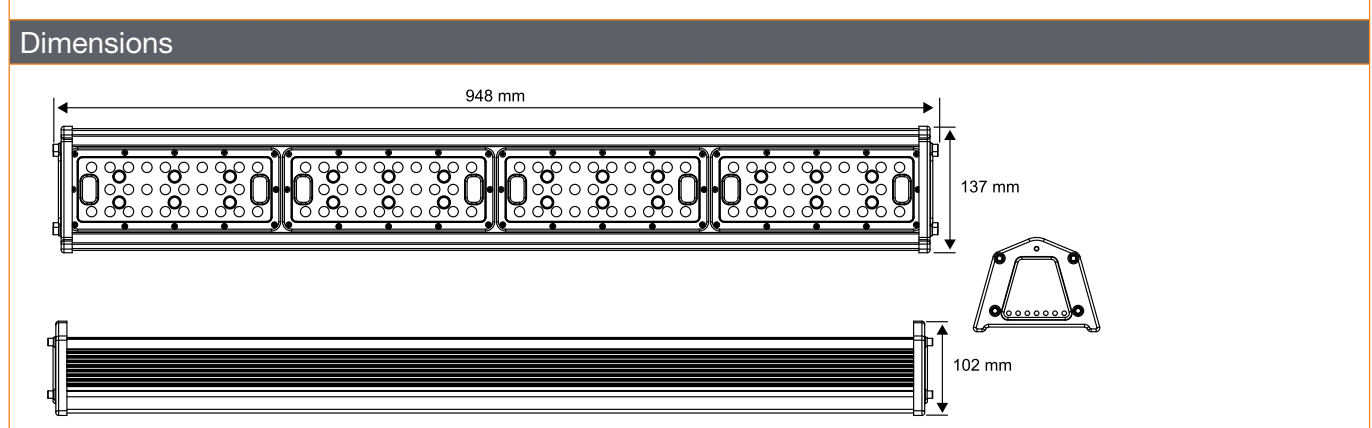
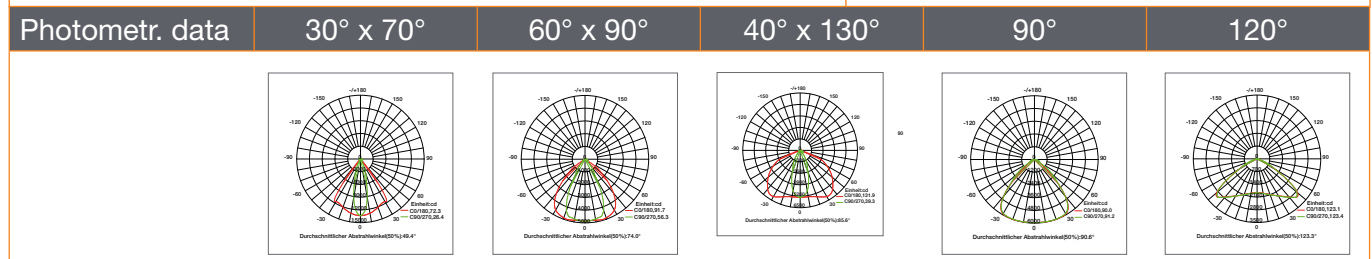
■ **Korona | LED highbay - 90 Watt**

Product data		Product image	
Power input:	90 Watt		
Driver:	 MEANWELL  SOSEN		
LED:	 NICHIA /  OSRAM		
Dimming:	1-10 Volt/DALI		
Quantity of LEDs:	84		
Voltage:	AC		
Voltage range:	200-240 V		
Cos φ:	0.93		
Operational frequency:	47-63 Hz		
Color temperature:	5,000 K		Green (520-540 nm)
Luminous flux:	14,850 lm		10,188 lm
Luminous efficiency:	165 lm/W		113 lm/W
Beam angle:	30°x70° / 60°x90° / 40°x130° / 90° / 120°		
CRI:	73 R _a		
Ambient temperature:	-30 °C bis +50 °C		
Degree of protection:	IP65		
Impact resistance:	IK08		
Average lifespan:	50,000 h L ₈₀ / B ₁₀		
Start:	<0.1 Sekunden		
Length x width x height:	718 mm x 137 mm x 102 mm		
Weight:	5.0 kg		
Packing unit:	1 piece		
Warranty:	5 years		
Housing: Impact, vibration and corrosion resistant aluminum housing, thermally optimized. Flat and compact design. Stainless steel fittings.			
Product description			
<ul style="list-style-type: none"> ■ Precise illumination of corridors and storage areas ■ Easy maintenance due to modular design ■ Mounting as pendant, ceiling and wall luminaire ■ Free of mercury ■ Robust and durable construction for industrial use ■ High performance optics ■ Nichia diodes tested according to LM80 			








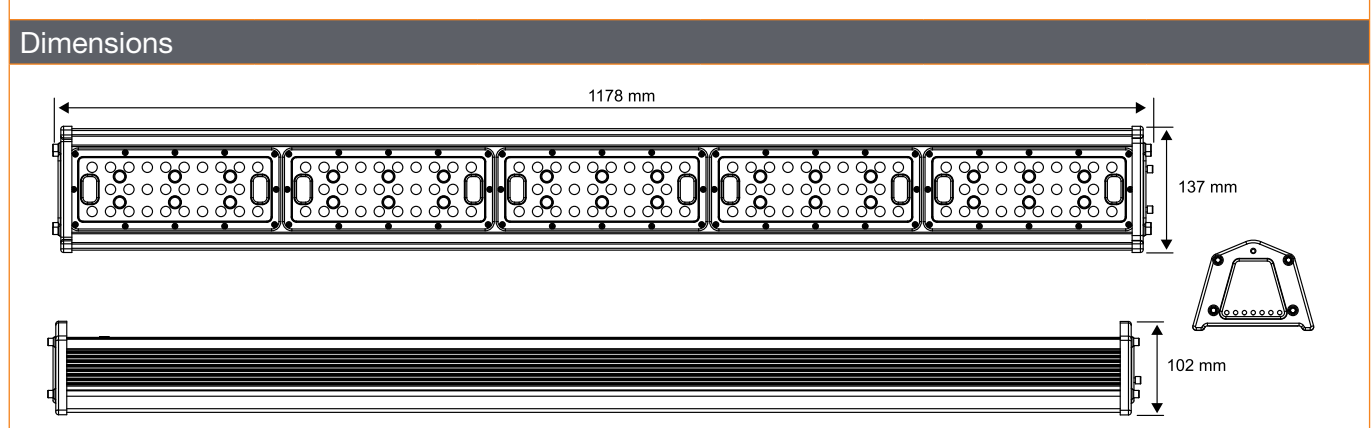
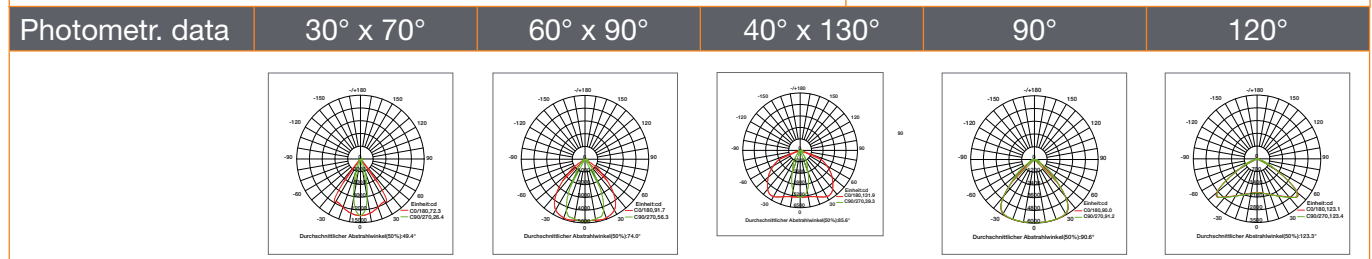
■ **Korona | LED highbay - 120 Watt**

Product data		Product image	
Power input:	120 Watt		
Driver:	 MEANWELL  SOSEN		
LED:	 NICHIA /  OSRAM		
Dimming:	1-10 Volt/DALI		
Quantity of LEDs:	112		
Voltage:	AC		
Voltage range:	200-240 V		
Cos φ:	0.93		
Operational frequency:	47-63 Hz		
Color temperature:	5,000 K		Green (520-540 nm)
Luminous flux:	19,800 lm		13,585 lm
Luminous efficiency:	165 lm/W		113 lm/W
Beam angle:	30°x70° / 60°x90° / 40°x130° / 90° / 120°		
CRI:	73 R _a		
Ambient temperature:	-30 °C bis +50 °C		
Degree of protection:	IP65		
Impact resistance:	IK08		
Average lifespan:	50,000 h L ₈₀ / B ₁₀		
Start:	<0.1 Sekunden		
Length x width x height:	948 mm x 137 mm x 102 mm		
Weight:	5.7 kg		
Packing unit:	1 piece		
Warranty:	5 years		
Housing: Impact, vibration and corrosion resistant aluminum housing, thermally optimized. Flat and compact design. Stainless steel fittings.			
Product description			
<ul style="list-style-type: none"> ■ Precise illumination of corridors and storage areas ■ Easy maintenance due to modular design ■ Mounting as pendant, ceiling and wall luminaire ■ Free of mercury ■ Robust and durable construction for industrial use ■ High performance optics ■ Nichia diodes tested according to LM80 			




■ **Korona | LED highbay - 150 Watt**

Product data		Product image	
Power input:	150 Watt		
Driver:	 MEANWELL  SOSEN		
LED:	 NICHIA /  OSRAM		
Dimming:	1-10 Volt/DALI		
Quantity of LEDs:	140		
Voltage:	AC		
Voltage range:	200-240 V		
Cos φ:	0.93		
Operational frequency:	47-63 Hz		
Color temperature:	5,000 K		Green (520-540 nm)
Luminous flux:	24,750 lm		16,818 lm
Luminous efficiency:	165 lm/W		112 lm/W
Beam angle:	30°x70° / 60°x90° / 40°x130° / 90° / 120°		
CRI:	73 R _a		
Ambient temperature:	-30 °C bis +50 °C		
Degree of protection:	IP65		
Impact resistance:	IK08		
Average lifespan:	50,000 h L ₈₀ / B ₁₀		
Start:	<0.1 Sekunden		
Length x width x height:	1,178 mm x 137 mm x 102 mm		
Weight:	6.9 kg		
Packing unit:	1 piece		
Warranty:	5 years		
Housing: Impact, vibration and corrosion resistant aluminum housing, thermally optimized. Flat and compact design. Stainless steel fittings.			
Product description			
<ul style="list-style-type: none"> ■ Precise illumination of corridors and storage areas ■ Easy maintenance due to modular design ■ Mounting as pendant, ceiling and wall luminaire ■ Free of mercury ■ Robust and durable construction for industrial use ■ High performance optics ■ Nichia diodes tested according to LM80 			

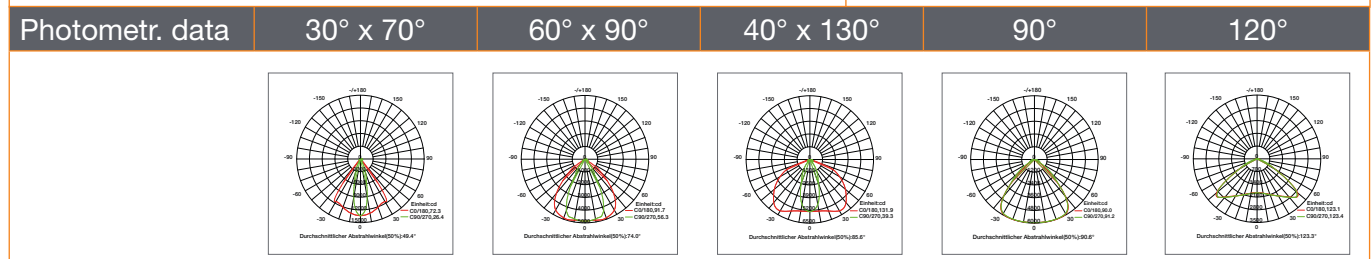


■ **Korona - LED highbay 180 Watt**

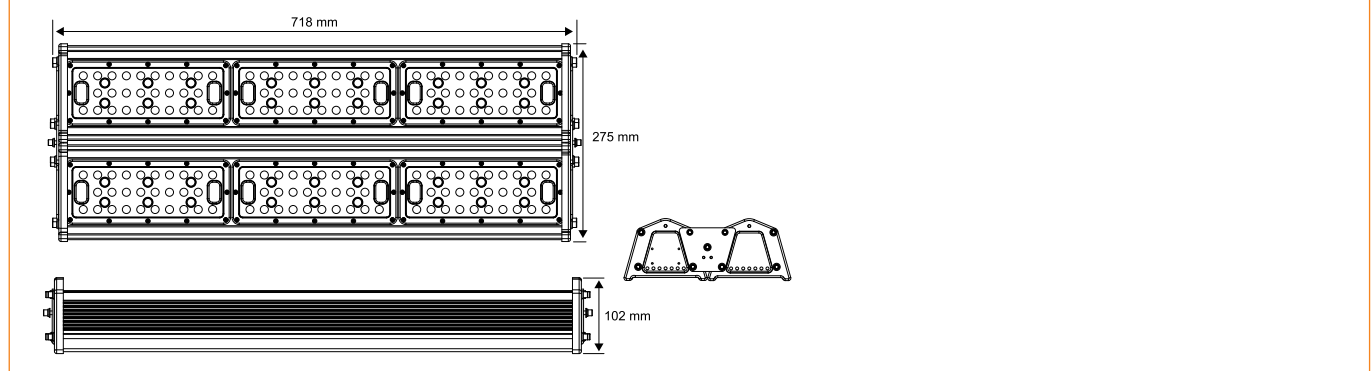
Product data		Product image	
Power input:	180 Watt		
Driver:	 MEANWELL  SOSEN		
LED:	 NICHIA /  OSRAM		
Dimming:	1-10 Volt/DALI		
Quantity of LEDs:	168		
Voltage:	AC		
Voltage range:	200-240 V		
Cos φ:	0.93		
Operational frequency:	47-63 Hz		
Color temperature:	5,000 K		Green (520-540 nm)
Luminous flux:	29,750 lm		20,376 lm
Luminous efficiency:	165 lm/W		113 lm/W
Beam angle:	30°x70° / 60°x90° / 40°x130° / 90° / 120°		
CRI:	73 R _a		
Ambient temperature:	-30 °C bis +50 °C		
Degree of protection:	IP65		
Impact resistance:	IK08		
Average lifespan:	50,000 h L ₈₀ / B ₁₀		
Start:	<0.1 Sekunden		
Length x width x height:	718 mm x 275 mm x 102 mm		
Weight:	8.5 kg		
Packing unit:	1 piece		
Warranty:	5 years		
Housing: Impact, vibration and corrosion resistant aluminum housing, thermally optimized. Flat and compact design. Stainless steel fittings.			

Product description


- Precise illumination of corridors and storage areas
- Easy maintenance due to modular design
- Mounting as pendant, ceiling and wall luminaire
- Free of mercury
- Robust and durable construction for industrial use
- High performance optics
- Nichia diodes tested according to LM80




Dimensions



■ Korona | LED highbay - Accessories

Product	Article	Article description
	Wire rope/pendulum	Wire rope suspension ceiling mounting for high rack luminaire Korona 30 W - 180 W

Product	Article	Article description
	ceiling mounting bracket	Mounting bracket wall/ceiling mounting for high rack luminaire Korona 30 W - 180 W

Product	Article	Article description
	ceiling mounting bracket ± 50°	Pivoting mounting angle ± 50° wall-/ ceiling mounting, version: 30 W - 150 W

Product	Article	Article description
	ceiling mounting bracket ± 50°	Pivoting mounting angle ± 50° wall-/ ceiling mounting, version: 180 W



CONPOWER
Energie bewusst machen

CONPOWER Betrieb GmbH

Lilienthalstraße 1

82178 Puchheim

Phone: +49 89 4161488-70

Fax: +49 89 4161488-71

Email: betrieb@conpower.de

www.conpower.de