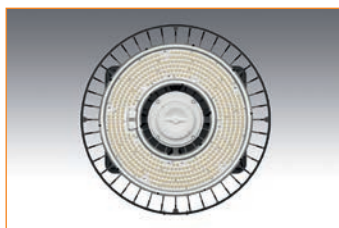


# Helios | LED highbay



## Data sheets



## Helios I LED high bay

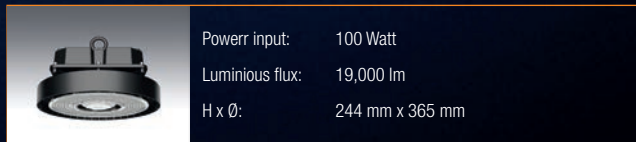
The Helios LED high bay luminaire in wattages from 100 to 200 W with a beam angle of 60°, 90° and 120° ensures uniform and efficient illumination of your commercial and industrial areas.

The Helios product series can be used outdoors and indoors. It convinces with its high-quality workmanship, IP65 protection and impact resistance of IK10.

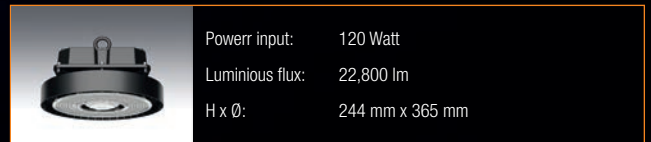
The LEDs are additionally protected by an impact-resistant polycarbonate lens (impact resistance IK10). Demand-led control can be set up via DALI or via a 1-10 V interface to create effective lighting control for variable workplace situations, constant light control or presence control.

Thanks to its flexible mounting options as a pendant, ceiling or wall luminaire, the luminaire can be used for a wide range of applications.

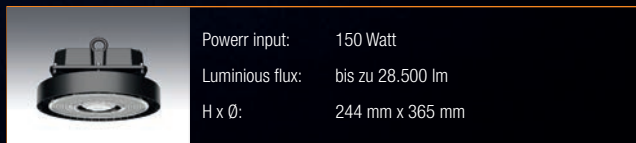
### Helios LED high-bay



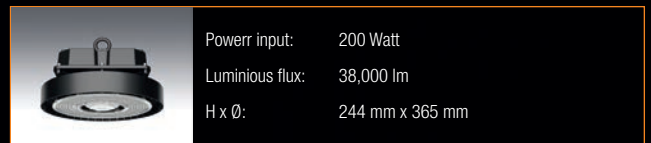
Page 3



Page 4




Page 5

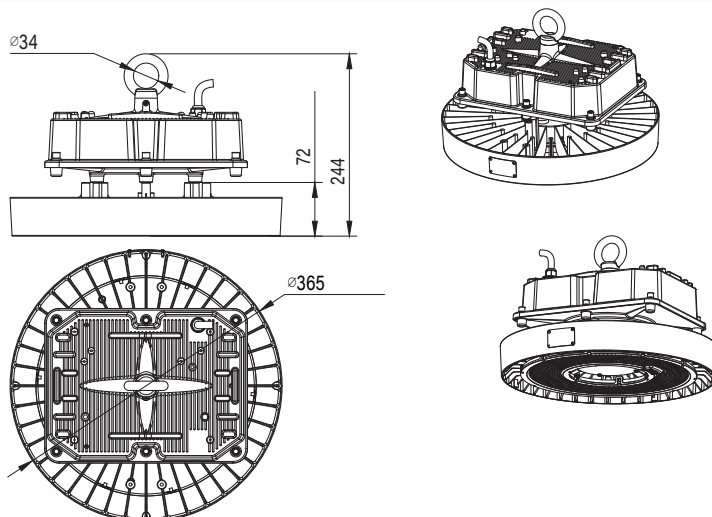


Page 6


■ Helios I LED highbay - 100 Watt

Product data		Product image
Power input:	100 Watt	
Driver:	MOSO	
LED:	LED 3030	
Dimming:	1-10 Volt/DALI	
Voltage:	AC	
Voltage range:	100-240 V	
Cos φ:	0.95	
Operational frequency:	50/60 Hz	
Color temperature:	5,000 K (optional 3,000 K, 4,000 K)	
Luminous flux:	19,000 lm	
Luminous efficiency:	190 lm/W	
Beam angle:	60°, 90° and 120°	
CRI:	70 R <sub>a</sub>	
Ambient temperature:	-30 °C to +50 °C	
Degree of protection:	IP65	
Impact resistance:	IK10	
Average lifespan:	82,000 h   L <sub>80</sub> / B <sub>10</sub> @Ta=25 °C	
Start:	<0,1 seconds	
Height x diameter:	244 mm x 365 mm	
Weight:	5.5 ± 0.3 kg	
Packing unit:	1 piece	
Warranty:	5 years	
Housing: Impact and corrosion resistant aluminum housing.		<p><b>Product description</b></p> <ul style="list-style-type: none"> <li>■ Mounting as pendant, ceiling and wall luminaire</li> <li>■ Free of mercury</li> <li>■ Robust and durable construction for industrial use</li> <li>■ Flicker-free instant start</li> <li>■ High switching durability</li> <li>■ Optionally with aluminium reflector</li> </ul>

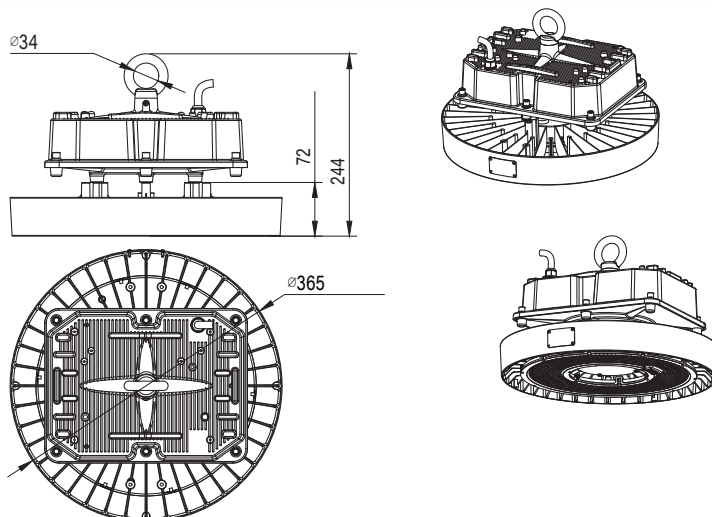
Dimensions:




■ Helios I LED highbay - 120 Watt

Product data		Product image
Power input:	120 Watt	
Driver:	MOSO	
LED:	LED 3030	
Dimming:	1-10 Volt/DALI	
Voltage:	AC	
Voltage range:	100-240 V	
Cos φ:	0.95	
Operational frequency:	50/60 Hz	
Color temperature:	5,000 K (optional 3,000 K, 4,000 K)	
Luminous flux:	22,800 lm	
Luminous efficiency:	190 lm/W	
Beam angle:	60°, 90° and 120°	
CRI:	70 R <sub>a</sub>	
Ambient temperature:	-30 °C to +50 °C	
Degree of protection:	IP65	
Impact resistance:	IK10	
Average lifespan:	82,000 h   L <sub>80</sub> / B <sub>10</sub> @Ta=25 °C	
Start:	<0.1 seconds	
Height x diameter:	244 mm x 365 mm	
Weight:	5.6 ± 0.3 kg	
Packing unit:	1 piece	
Warranty:	5 years	
Housing: Impact and corrosion resistant aluminum housing.		<p><b>Product description</b></p> <ul style="list-style-type: none"> <li>■ Mounting as pendant, ceiling and wall luminaire</li> <li>■ Free of mercury</li> <li>■ Robust and durable construction for industrial use</li> <li>■ Flicker-free instant start</li> <li>■ High switching durability</li> <li>■ Optionally with aluminium reflector</li> </ul>

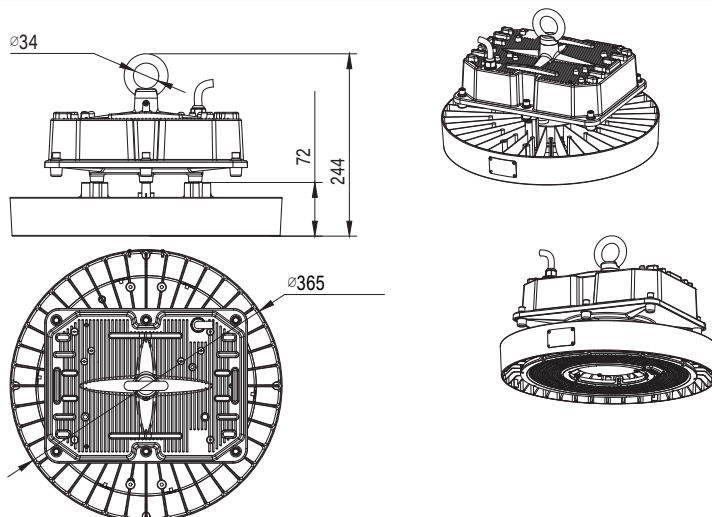
Dimensions:




■ Helios I LED highbay - 150 Watt

Product data		Product image
Power input:	150 Watt	
Driver:	MOSO	
LED:	LED 3030	
Dimming:	1-10 Volt/DALI	
Voltage:	AC	
Voltage range:	100-240 V	
Cos φ:	0.95	
Operational frequency:	50/60 Hz	
Color temperature:	5,000 K (optional 3,000 K, 4,000 K)	
Luminous flux:	28,500 lm	
Luminous efficiency:	190 lm/W	
Beam angle:	60°, 90° and 120°	
CRI:	70 R <sub>a</sub>	
Ambient temperature:	-30 °C to +50 °C	
Degree of protection:	IP65	
Impact resistance:	IK10	
Average lifespan:	82,000 h   L <sub>80</sub> / B <sub>10</sub> @Ta=25 °C	
Start:	<0.1 seconds	
Height x diameter:	244 mm x 365 mm	
Weight:	5.6 ± 0.3 kg	
Packing unit:	1 piece	
Warranty:	5 years	
Housing: Impact and corrosion resistant aluminum housing.		<p><b>Product description</b></p> <ul style="list-style-type: none"> <li>■ Mounting as pendant, ceiling and wall luminaire</li> <li>■ Free of mercury</li> <li>■ Robust and durable construction for industrial use</li> <li>■ Flicker-free instant start</li> <li>■ High switching durability</li> <li>■ Optionally with aluminium reflector</li> </ul>

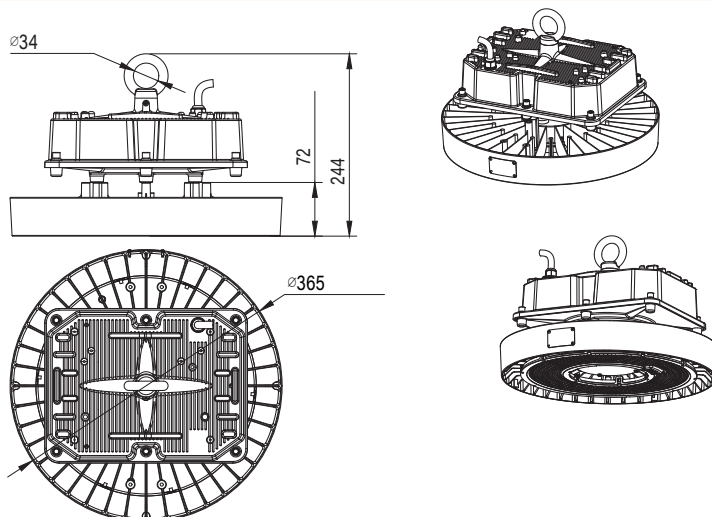
Dimensions:




■ Helios I LED highbay - 200 Watt

Product data		Product image
Power input:	200 Watt	
Driver:	MOSO	
LED:	LED 3030	
Dimming:	1-10 Volt/DALI	
Voltage:	AC	
Voltage range:	100-240 V	
Cos φ:	0.95	
Operational frequency:	50/60 Hz	
Color temperature:	5,000 K (optional 3,000 K, 4,000 K)	
Luminous flux:	38,000 lm	
Luminous efficiency:	190 lm/W	
Beam angle:	60°, 90° and 120°	
CRI:	70 R <sub>a</sub>	
Ambient temperature:	-30 °C to +50 °C	
Degree of protection:	IP65	
Impact resistance:	IK10	
Average lifespan:	82,000 h   L <sub>80</sub> / B <sub>10</sub> @Ta=25 °C	
Start:	<0,1 seconds	
Height x diameter:	244 mm x 365 mm	
Weight:	5.6 ± 0.3 kg	
Packing unit:	1 piece	
Warranty:	5 years	
Housing: Impact and corrosion resistant aluminum housing.		<p><b>Product description</b></p> <ul style="list-style-type: none"> <li>■ Mounting as pendant, ceiling and wall luminaire</li> <li>■ Free of mercury</li> <li>■ Robust and durable construction for industrial use</li> <li>■ Flicker-free instant start</li> <li>■ High switching durability</li> <li>■ Optionally with aluminium reflector</li> </ul>


Dimensions:





■ Helios | Led high-bay - Accessories


Product	Article	Description
	Bracket	Mounting bracket wall/ceiling mounting for pendant luminaire Helios


Product	Article	Description
	Chain	Safety chain


Product	Article	Description
	Sensor	Microwave motion sensor

Product	Article	Description
	Sensor	Infrared motion sensor

Product	Article	Description
	Remote control	Remote control for microwave and infrared sensors

Product	Article	Description
	Aluminium reflector	Aluminium reflector in black finish.

Product	Article	Description
	PC reflector without cover	PC reflector without cover

Product	Article	Description
	60°/90°/120°-lens	60°/90°/120°-lens



**CONPOWER**  
*Energie bewusst machen*

**CONPOWER Betrieb GmbH**  
Lilienthalstraße 1  
82178 Puchheim  
Telefon: +49 89 4161488-70  
Telefax: +49 89 4161488-71  
E-Mail: [betrieb@conpower.de](mailto:betrieb@conpower.de)  
[www.conpower.de](http://www.conpower.de)